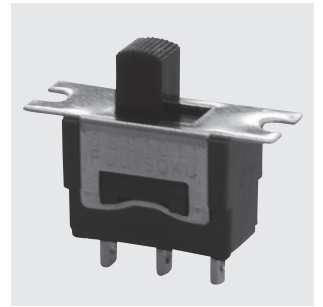


8SS

Sub-miniature Slide Switches

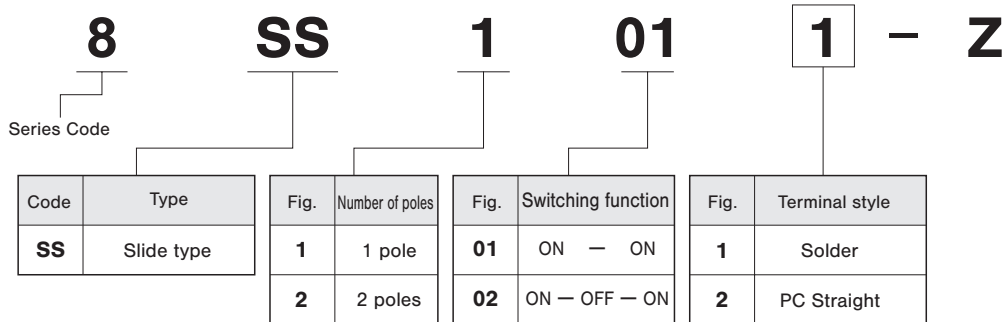


RoHS Compliant

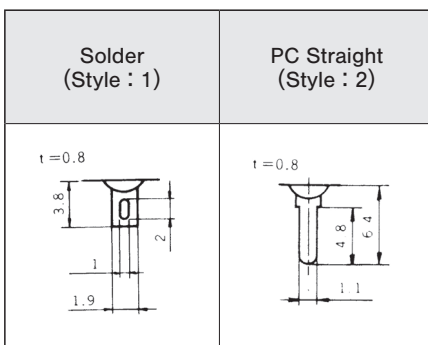
Specifications

Contact specs.	Silver contacts	
Rating	Max.	125 VAC 6 A 30 VDC 4 A
	Min.	5 VAC/DC 10 mA
Initial contact resistance	10 mΩ max.(2~4 VDC 1 A)	
Initial dielectric strength	1,000 VAC 1 minute	
Initial insulation resistance	1,000 MΩ min. (500 VDC)	
Electrical life	ON - ON	30,000 cycles
	ON - OFF - ON	20,000 cycles
Mechanical life	100,000 cycles	
Operating temperature range	-30~+85°C	
Storage temperature range	-40~+85°C	

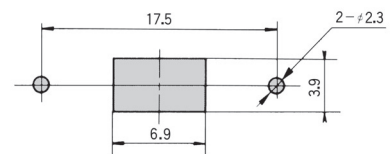
Part Numbering



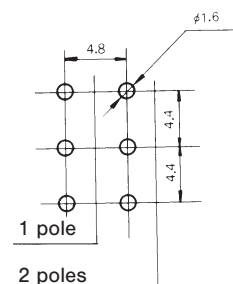
Terminal Styles



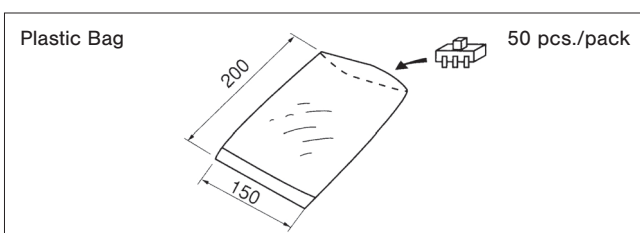
Panel Cut-Out Dimensions



PC Hole Layouts

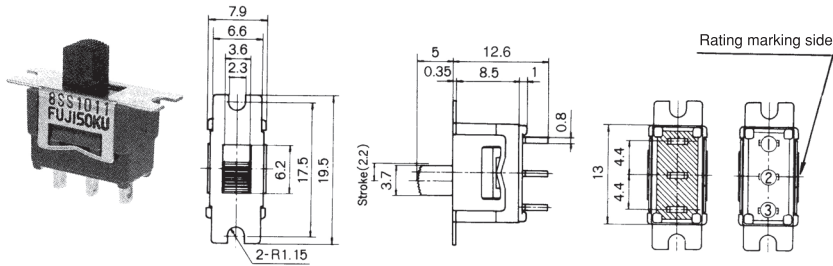


Packaging Specifications



SPDT

Solder



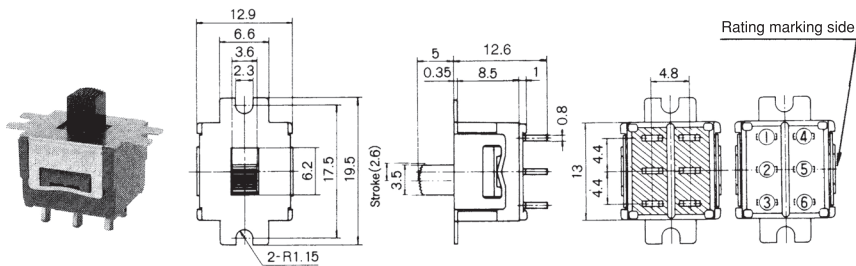
S/D

The terminal numbers are not shown on the switch.

Switching function	Viewed from rating marking side		
Part No.			
8SS1011-Z	ON	-	ON
▲8SS1021-Z	ON	OFF	ON
Connecting terminals	2-1	-	2-3

DPDT

Solder



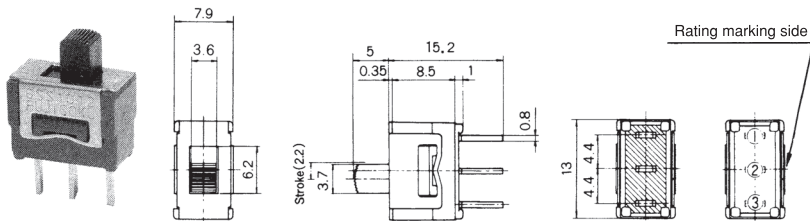
S/D

The terminal numbers are not shown on the switch.

Switching function	Viewed from rating marking side		
Part No.			
8SS2011-Z	ON	-	ON
★8SS2021-Z	ON	OFF	ON
Connecting terminals	2-1 5-4	-	2-3 5-6

SPDT

PC Straight



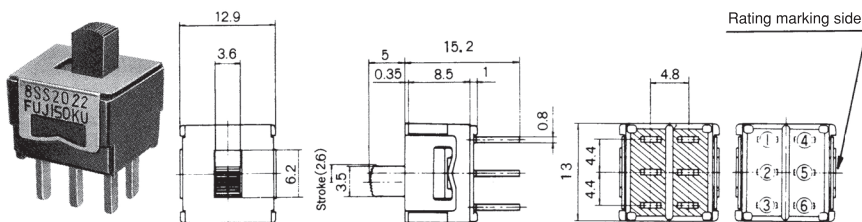
P/C

The terminal numbers are not shown on the switch.

Switching function	Viewed from rating marking side		
Part No.			
8SS1012-Z	ON	-	ON
★8SS1022-Z	ON	OFF	ON
Connecting terminals	2-1	-	2-3

DPDT

PC Straight



P/C

The terminal numbers are not shown on the switch.

Switching function	Viewed from rating marking side		
Part No.			
8SS2012-Z	ON	-	ON
★8SS2022-Z	ON	OFF	ON
Connecting terminals	2-1 5-4	-	2-3 5-6

■ UL Recognized / CSA Certified

Part No.
8SS1011-Z
8SS1012-Z
8SS1021-Z
8SS1022-Z
8SS2011-Z
8SS2012-Z
8SS2021-Z
8SS2022-Z

Even if the products are of UL-or CSA-approved ones, The products in stock do not carry the UL mark of the CSA mark.

When placing an order, be sure to specify "With UL/CSA Mark." For the products with the UL mark or the CSA mark, extra costs will be added.

UL File No.E43275
CSA File No.LR38341

■ Precaution

1. Soldering Specifications

(1) Manual soldering

Device : Solder iron

- ① 420°C Max. 3 sec. Max.

(2) Auto soldering

- ② 275°C Max. 6 sec. Max.

The above-stated soldering conditions shall apply only to switches with straight terminals. Auto soldering is not possible with right-angle terminals. Switches with right-angle terminals should be soldered manually according to the conditions specified in (1) above.

- (3) When soldering two or more terminals to the common land, use the solder resist to isolate the terminals.

3. Mounting

- Do not bend the terminals before mounting the switch on the PC board.
- After mounting the switch, do not place the device in such a way that the device weight will be applied on to the actuator of the switch.
- For switches with straight terminals, solder the switch on the PC board after fixing the switch on the panel with a nut.

2. Flux Cleaning

- (1) Solvent : Fluorine or Alcohol type.
- (2) 8SS series are not washable. To wash the PC board, clean the soldering surface of the PC board with a brush so that the switch is not exposed to the cleaning solution.
- (3) Cleaning after soldering should be done after the terminal temperature falls to 90°C or below, or after leaving the switch for five minutes or longer at room temperature.

■ Packaging Specification

