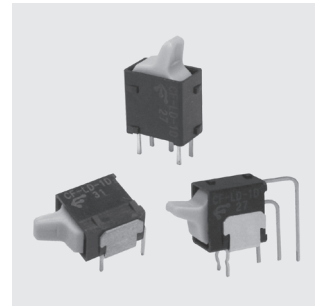


CF-LD

Hyper-Miniature Lever Switches



RoHS Compliant

Features

1. Light operating feeling.
2. Auto soldering on PC board is possible (non-washable).
3. Three mounting types of PC/Right Angle/Vertical are available.
4. The gold-plated clip contact mechanism ensures high contact reliability.
5. Lever design, considering the operability. Three lever colors of white, red, and gray are lined up.
6. Resin material is UL Recognized 94V-0

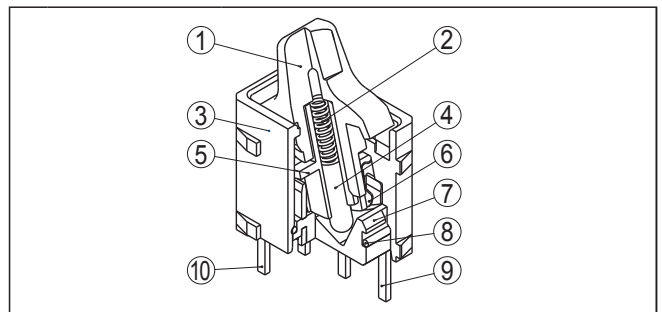
Switching Function

Switching function		Circuit diagram
A POS.	B POS.	
ON	ON	
(5) - (6)	(5) - (4)	

Specifications

Rating	Max.	0.4 VA (28 VAC/DC 0.1 A) (Resistive load)
	Min.	20 mVAC/DC 0.1 mA (Resistive load)
Dielectric strength		500 VAC 1 minute
Initial contact resistance		80 mΩ Max. (1.5mA 200 μVAC)
Initial insulation resistance		500 MΩ Min. (500 VDC)
Electrical life		10,000 cycles at max. rating
		50,000 cycles at VA0.4 rating & min.
Mechanical life		50,000 cycles
Operating temperature range		-40~+85°C
Storage temperature range		-40~+85°C

Internal Structure



Part name	Material
① Lever	PA(Polyamide)
② C Spring	Piano wire
③ Cover	PA(Polyamide)
④ Actuator tip	Copper alloy, Nickel-plated
⑤ Rod holder	PA(Polyamide)
⑥ Movable contact	Copper alloy, Gold-plated
⑦ Base	PA(Polyamide)
⑧ O Ring	Nitrile rubber
⑨ Terminal(Circuit)	Copper alloy, Gold-plated
⑩ Terminal(Dummy) ※PC only	Copper alloy, Tin-plated

Part Numbering

CF-LD - 1 D C6 - A G 2 W

Series name

No. of pole(s)

1 1pole

Switching function

D ON-ON

Terminal styles

C	PC Straight
C4	PC Right angle
C6	PC Vertical mounting

Operating function

A Lever

Packaging specifications

W	Tray
blank	Plastic bag

Contact material

2 Gold plated

Button color

G	Gray
R	Red
W	White

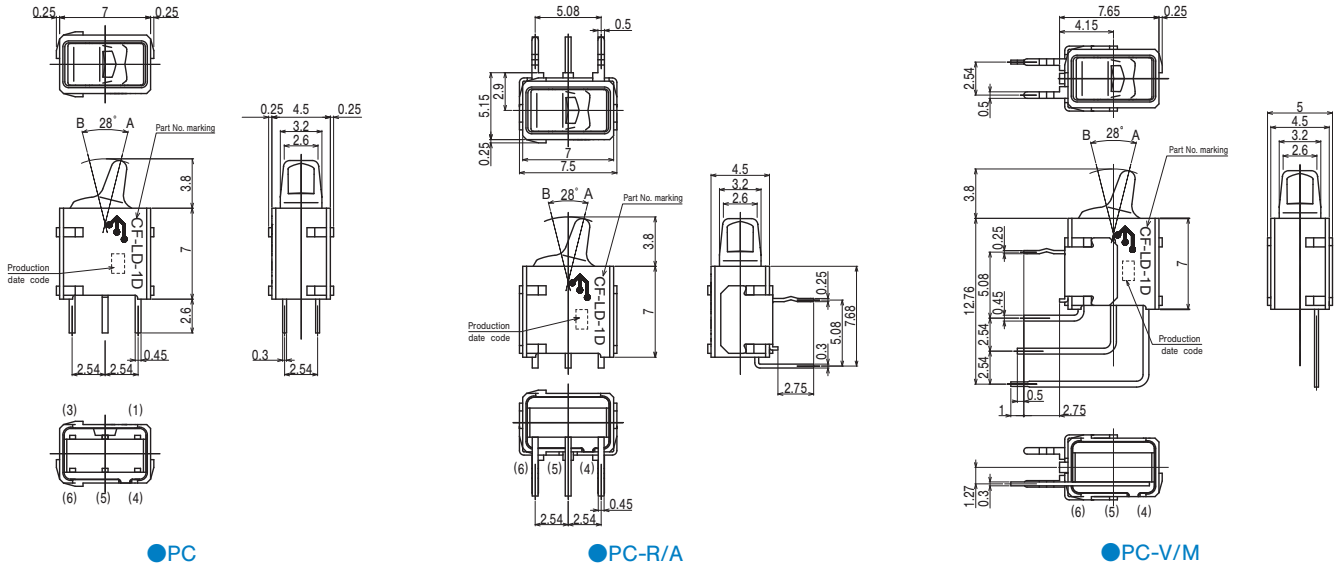
List of Part Numbers

★Made to order products

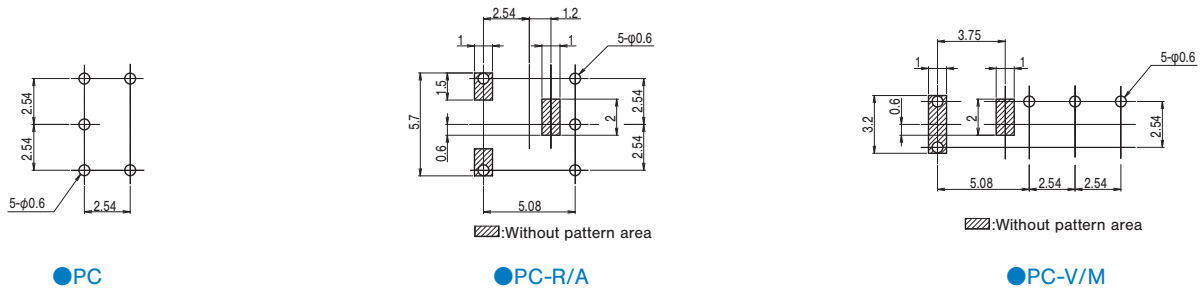
No. of pole(s)	Switching function	Packaging specifications	Button color	Terminal styles			Packaging quantity
				PC Straight	PC Right angle	PC Vertical mounting	
1	ON-ON	Tray	Gray	★CF-LD-1DC-AG2W	★CF-LD-1DC4-AG2W	CF-LD-1DC6-AG2W	200pcs./tray
			Red	★CF-LD-1DC-AR2W	★CF-LD-1DC4-AR2W	★CF-LD-1DC6-AR2W	200pcs./tray
			White	★CF-LD-1DC-AW2W	★CF-LD-1DC4-AW2W	★CF-LD-1DC6-AW2W	200pcs./tray
		Plastic bags	Gray	★CF-LD-1DC-AG2	★CF-LD-1DC4-AG2	CF-LD-1DC6-AG2	25pcs./pack
			Red	★CF-LD-1DC-AR2	★CF-LD-1DC4-AR2	★CF-LD-1DC6-AR2	25pcs./pack
			White	★CF-LD-1DC-AW2	★CF-LD-1DC4-AW2	★CF-LD-1DC6-AW2	25pcs./pack

Outline Dimensions

Tolerances unless otherwise specified:±0.3 (Unit:mm)

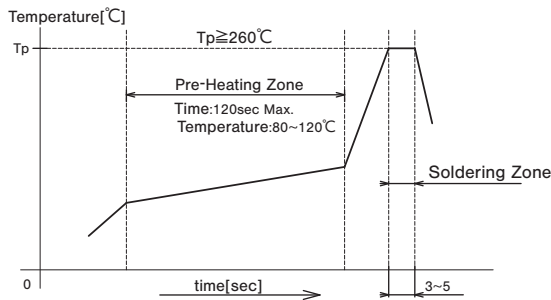


PC Hole Layouts

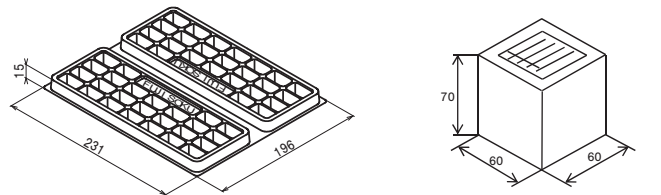


Soldering Specifications

(1)Auto Soldering



Packaging Specification



●Tray: 100pcs.

●Plastic bag: 25pcs.

(2)Manual Soldering

Device: Soldering iron
350°C, Max.; 3 seconds, Max.