

# CF-PD

## Nut type Pushbutton Switches

RoHS Compliant



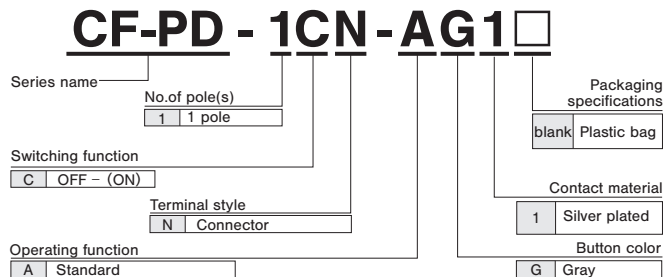
### Features

- Solidly design**  
We added an assembly nut on LTM3-02.  
It improves the strength of the panel.
- Due to new design,**  
it improves the strength of push button product.
- Connector-wiring**  
be able to one-touch fitting on the terminal parts, without using PCB.
- A light operating touch**  
We adopted dome shape contact.  
It provides a sharp click feeling.
- Resin materials are UL Recognized 94V-0 or 94HB**

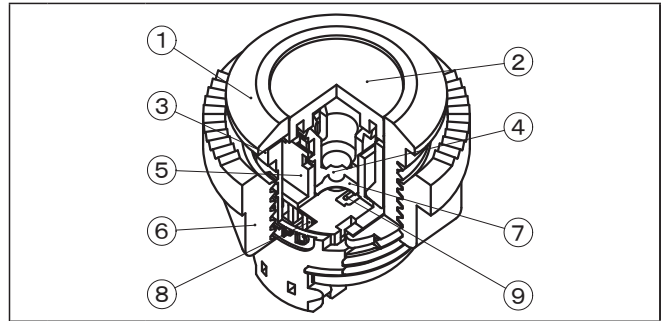
### Specifications

Rating	Max.	1 VA Max. (48 VDC 50 mA Max.)	(Resistive load)
Dielectric strength	250 VAC 1minute		
Initial contact resistance	100 mΩ Max.	(200 μVAC 1.5 mA)	
Initial insulation resistance	100 MΩ Min.	(100 VDC)	
Electrical life	300,000 operations		
Operating force	0.98~1.76N		
Operating temp. range	-25~+70°C		

### Part Numbering



### Internal Structure



Part name	Material
① Frame	Acrylonitrie Butadiene Styrene
② Button	Acrylonitrie Butadiene Styrene
③ Cover plate	Acrylonitrie Butadiene Styrene
④ Plunger	Polybutylene terephthalate
⑤ Case	Polyamide
⑥ Nut	Acrylonitrile Butadiene Styrene
⑦ Movable contact	Copper alloy, Silver-plated
⑧ Terminalpin	Copper alloy, Silver-plated
⑨ Fixed contact	Copper alloy, Silver-plated

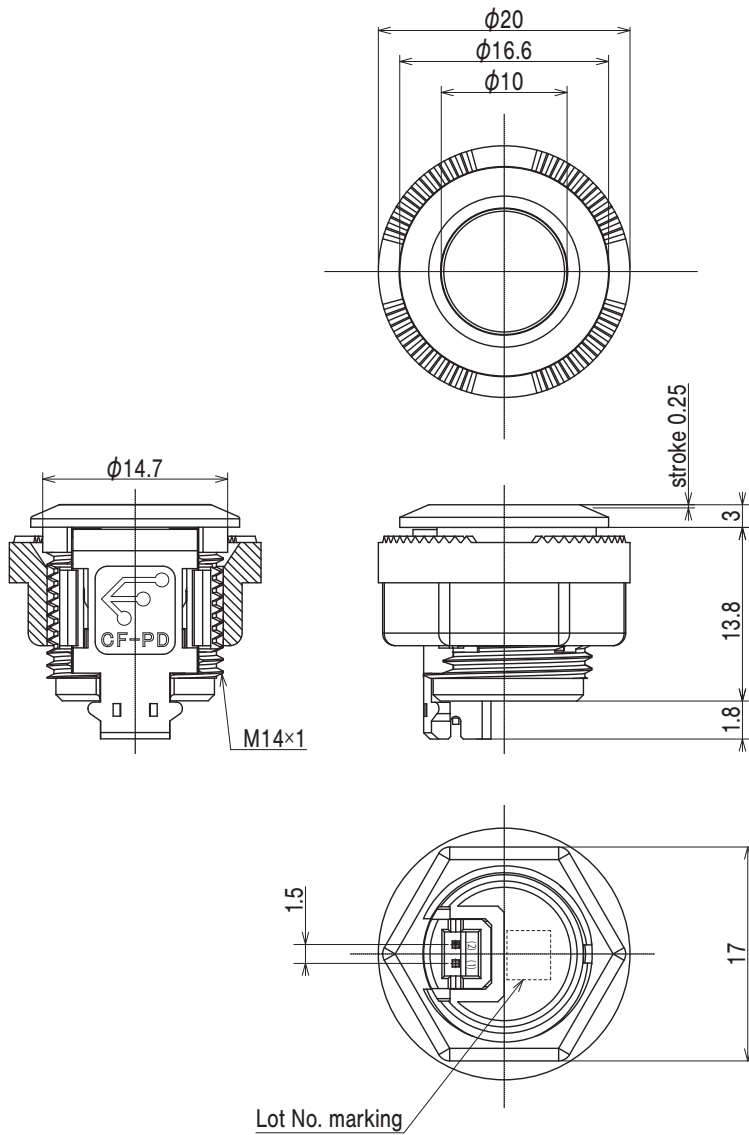
### Switching Function

Part number	Switching function		Circuit diagrams
	Free	Push	
CF-PD-1CN-AG1	OFF	(ON)	
	-	(1)-(2)	

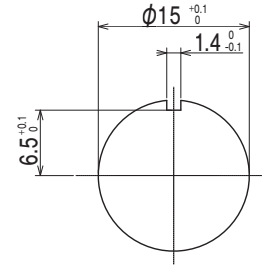
(ON):Momentary.

## Outline Dimensions

Unless otherwise specified, tolerance:±0.3 (unit:mm)



## Panel Cut-out Dimensions



Panel thickness: 1~3mm

## Precautions

- ※Nut tighten torque : under 0.29 (N·m)
- ※Nut is an accessory.

## Applicable Connector

ZHR-2 (Housing) by J.S.T. MFG CO.,LTD.