

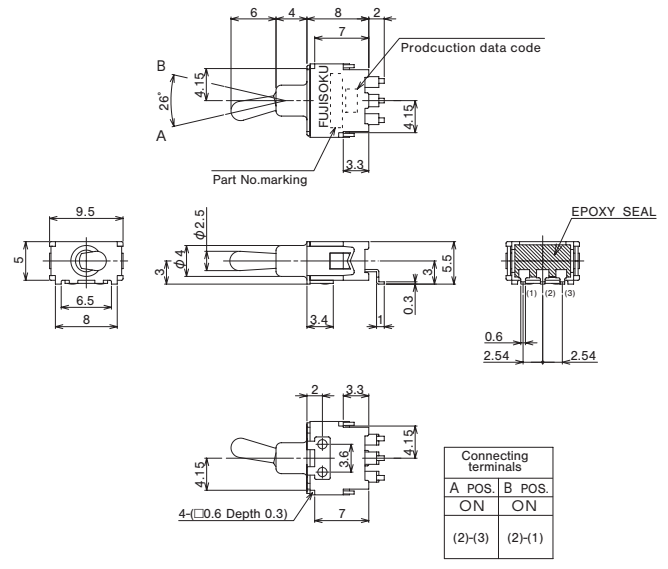
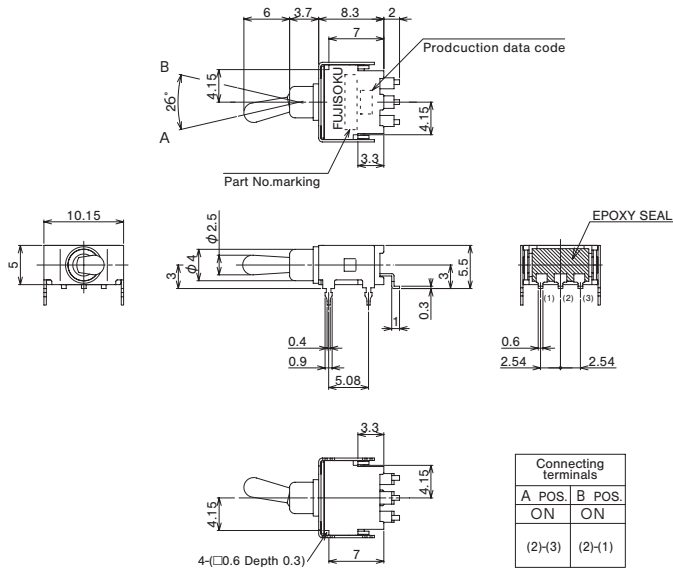
Outline dimensions

•Standard

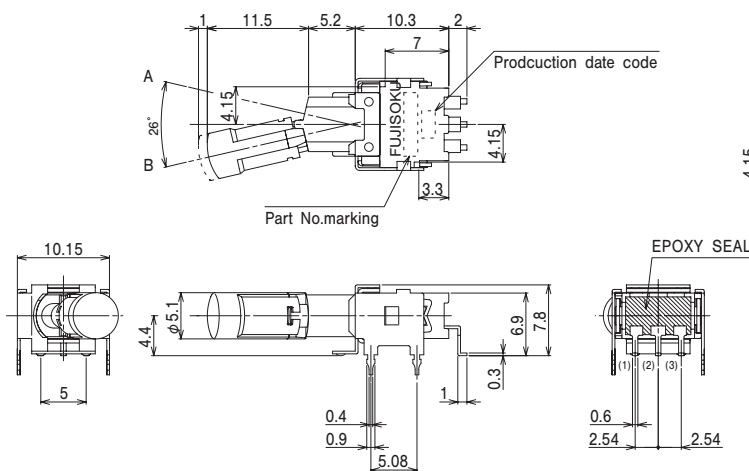
(Unit:mm)

●With THR bracket

●Without bracket



•Locking Lever



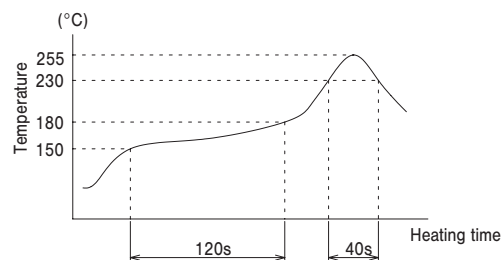
List of part numbers

Number of poles	Switching function	Actuator shape	Form of Packaging	Terminal style		Pieces in package
				SMD	THR	
1 pole	ON - ON	Standard	Taping	CF-TA-1DB4-A02T	CF-TA-1DB4-A12T	500pcs./reel
	ON - ON		Plastic bags	CF-TA-1DB4-A02	CF-TA-1DB4-A12	20pcs./pack
	ON - OFF - ON			CF-TA-1EB4-A02	CF-TA-1EB4-A12	20pcs./pack
	ON - ON	Lever-lock	Taping	-	CF-TA-1DB4-L12T	250pcs./reel
			Plastic bags	-	CF-TA-1DB4-L12	20pcs./pack

Soldering

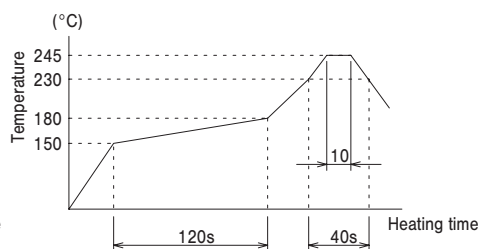
(1) Reflow soldering

•Standard



Reflow soldering: Two times max.

•Locking Lever



Reflow soldering: Two times max.

(2) Manual soldering

Device:Solder iron
380°C Max. 3sec Max.

Packaging Specifications

(1) Taping

Standard type: 500 pcs./reel.

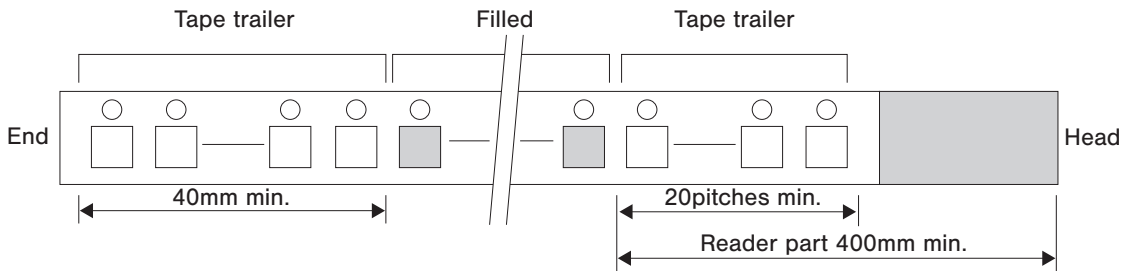
Locking lever type: 250 pcs./reel.

One reel is packed into one carton (1 reel / carton).

The maximum number of consecutive missing pieces shall be 2.

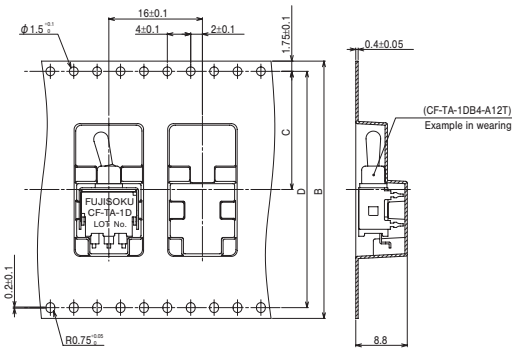
Embossed tape dimensions are shown in the diagram below.

Fig.1 Embossed tape dimensions

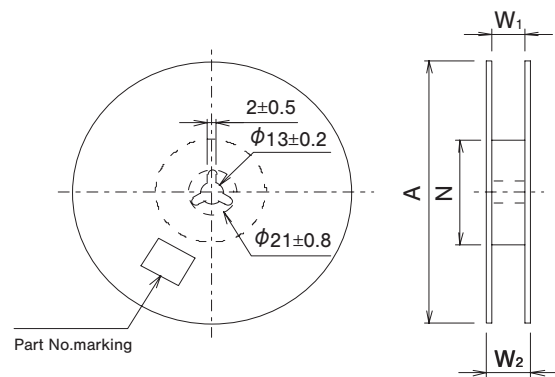


<Tape dimensions>

•Standard



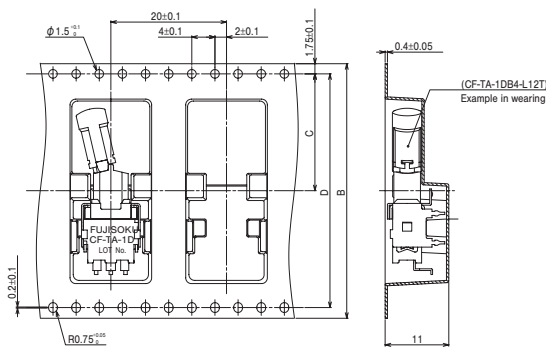
<Reel dimensions>



Unit : (mm)

A	W ₁	W ₂	N
$\phi 330 \pm 2$	45.4 ± 1	49.4 ± 1	$\phi 80 \pm 1$

•Locking Lever



Unit : (mm)

B	C	D
44	20.2 ± 0.1	40.4 ± 0.1

(2) Bulk

20 pcs. / plastic bag