

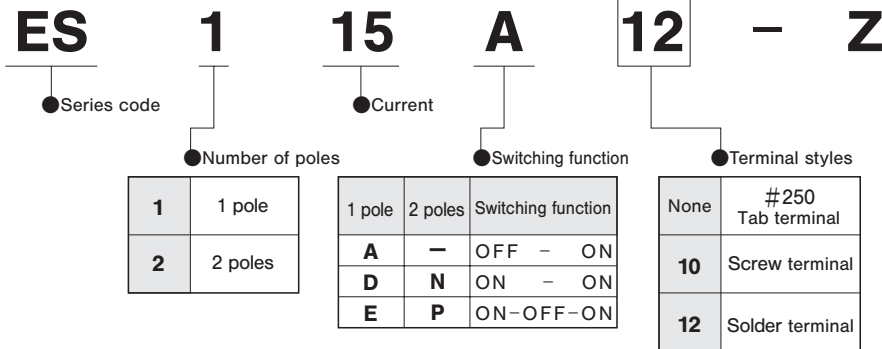
ES

Miniature Slide Switches

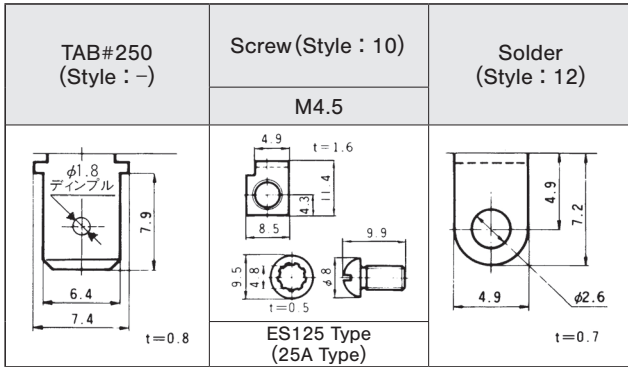
RoHS Compliant



Part Numbering

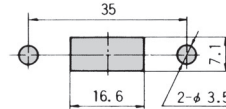


Terminal Styles

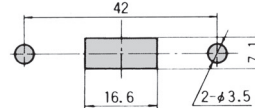


Panel Cut-Out Dimensions

ES115•125 type

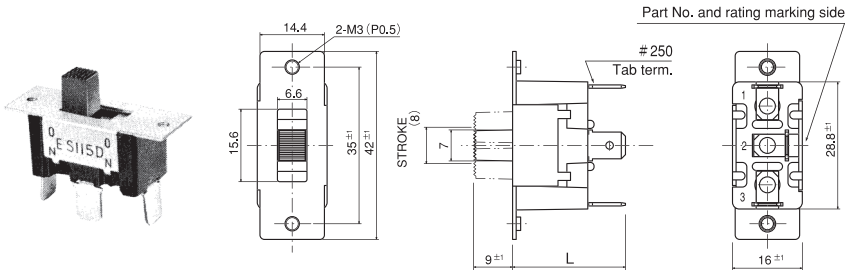


ES215•225 type



ES115 1-pole

Switches with switching function "A" do not have terminal No. 2.



Dimension L

Part No.	Terminal style	TAB	Screw	Solder
ES115A ■-Z		25.2±1	—	22.3±1
ES115D ■-Z		25.2±1	—	22.3±1
ES115E ■-Z		25.7±1	—	22.8±1

Part No.	Viewed from part No. marking side		
	Switching function	OFF	ON
ES115A ■-Z	OFF	-	ON
ES115D ■-Z	ON	-	ON
ES115E ■-Z	ON	OFF	ON
Connecting terminals	2-1	-	2-3

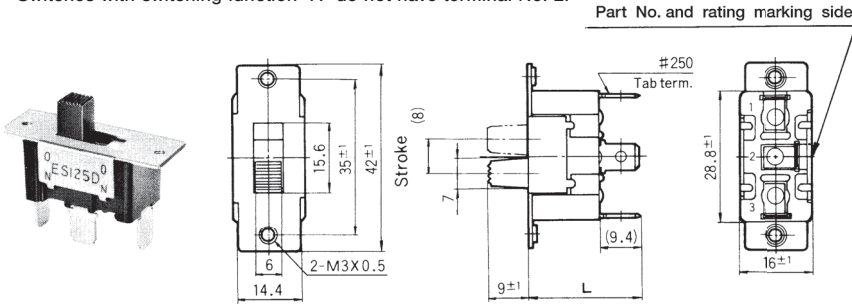
To check the full part number of the products marked with the ■, please refer to "Table of Part Numbers".

Specifications

Rating	Initial contact resistance	Dielectric strength	Insulation resistance	Electrical life
ES115A ■-Z ES115D ■-Z	20mΩ Max. (DC2~4V 100mA)	AC1500V minute	100MΩ Min. (DC500V)	20,000 cycles
ES115E ■-Z				
AC125V 15A AC250V 15A				
AC125V 15A AC250V 7A				

ES125 1-pole

Switches with switching function "A" do not have terminal No. 2.



Terminal numbers are shown on the bottom of the switch.

Specifications

Rating	Initial contact resistance	Dielectric strength	Insulation resistance	Electrical life	
ES125A■-Z	AC125V 25A	20mΩ Max. (DC2~4V 100mA)	AC1500V minute	100MΩ Min. (DC500V)	20,000 cycles
ES125D■-Z	AC250V 25A				

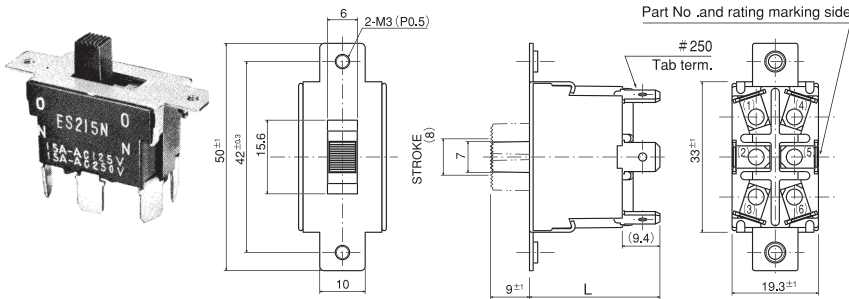
Dimension L

Terminal style	TAB	Screw	Solder
Part No.			
ES125A■-Z	25.2±1	26.4±1	22.3±1
ES125D■-Z			

Switching function	Viewed from part No. marking side		
Part No.			
ES125A■-Z	OFF	-	ON
Connecting terminals	-	-	1-3
ES125D■-Z	ON	-	ON
Connecting terminals	2-1	-	2-3

To check the full part number of the products marked with the ■, please refer to "Table of Part Numbers".

ES215 2-poles



Terminal numbers are shown on the bottom of the switch.

Specifications

Rating	Initial contact resistance	Dielectric strength	Insulation resistance	Electrical life	
ES215N■-Z	AC125V 15A AC250V 15A	20mΩ Max. (DC2~4V 100mA)	AC1500V minute	100MΩ Min. (DC500V)	20,000 cycles
ES215P■-Z	AC125V 15A AC250V 7A				

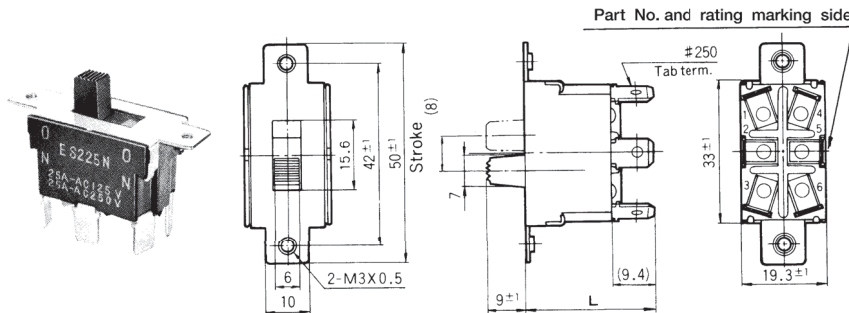
Dimension L

Terminal style	TAB	Screw	Solder
Part No.			
ES215N■-Z	29.3±1	27.1±1	26.4±1
ES215P■-Z			

Switching function	Viewed from part No. marking side		
Part No.			
ES215N■-Z	ON	-	ON
ES215P■-Z	ON	OFF	ON
Connecting terminals	2-1 5-4	-	2-3 5-6

To check the full part number of the products marked with the ■, please refer to "Table of Part Numbers".

ES225 2-poles



Terminal numbers are shown on the bottom of the switch.

Specifications

Rating	Initial contact resistance	Dielectric strength	Insulation resistance	Electrical life	
ES225N■-Z	AC125V 25A AC250V 25A	20mΩ Max. (DC2~4V 100mA)	AC1500V minute	100MΩ Min. (DC500V)	20,000 cycles

Dimension L

Terminal style	TAB	Screw	Solder
Part No.			
ES225N■-Z	29.3±1	30.6±1	26.4±1

Switching function	Viewed from part No. marking side		
Part No.			
ES225N■-Z	ON	-	ON
Connecting terminals	2-1 5-4	-	2-3 5-6

To check the full part number of the products marked with the ■, please refer to "Table of Part Numbers".

■ indicates the terminal style number ("None", "10", or "12").

Table of Part Numbers

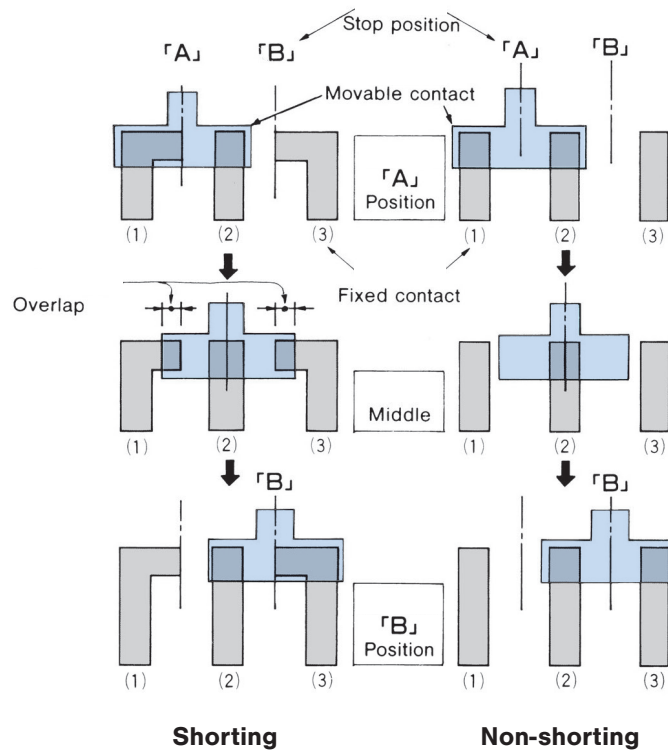
Series	Switching function	TAB terminals		Screw terminals	Solder terminals	
		1-pole	2-poles	1-pole	1-pole	2-poles
ES (15A用)	OFF - ON	★ ES115A-Z	—	—	★ ES115A12-Z	—
	ON - ON	★ ES115D-Z	ES215N-Z	—	★ ES115D12-Z	—
	ON-OFF-ON	★ ES115E-Z	★ ES215P-Z	—	—	—
ES (25A用)	OFF - ON	—	—	★ ES125A10-Z	★ ES125A12-Z	—
	ON - ON	—	—	—	★ ES125D12-Z	★ ES225N12-Z

★ : Made to order products.

■ Shorting (Make-Before-Break)

A switch which momentarily connects both circuits when the actuator is moved from Point A to B in the below figure.

All switches which are not marked as "Shorting" are "Non-shorting" (Break-Before-Make).



[Fig.1]