

ETW SERIES

Applications suitable for the general equipment market, construction machinery, power generation systems, kitchen equipment, and machine tools.

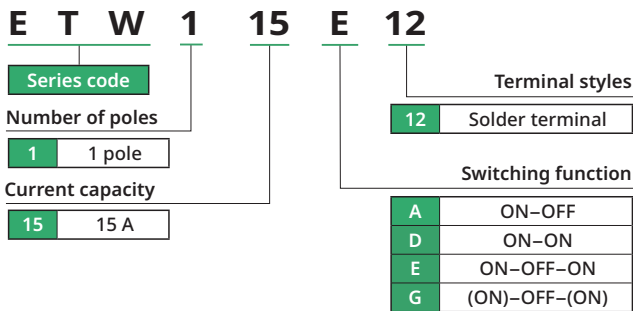
RoHS Compliant



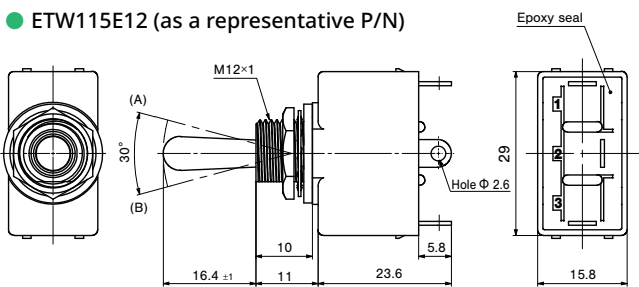
FEATURES

- Improved environmental resistance
Front panel seal: IP67 of IEC60529
Behind panel seal: IP60 of IEC60529
- The area around the terminal is sealed with adhesive.
- Recommended for equipment used outdoors
- cULus recognized

PART NUMBER DESIGNATION



OUTLINE DIMENSIONS (unit: mm)



SPECIFICATIONS

Rating	15 A 127 V ~25E3 10 A 250 V ~25E3
Initial contact resistance	20 mΩ max. (1 A 2~4 VDC)
Dielectric strength	1,500 VAC 1 minute
Insulation resistance	100 MΩ (500 VDC)
Electrical life	25,000 cycles
Operating temperature range	-10°C ~ +70°C
Storage temperature range	-20°C ~ +80°C

LIST OF PART NUMBERS

Part No.	Switching function	No. of poles	Terminals
ETW115A12	ON-OFF	1 pole	Solder
ETW115D12	ON-ON		
ETW115E12	ON-OFF-ON		
ETW115G12	(ON)-OFF-(ON)		

SWITCHING FUNCTION

	A	D	E	G
ON	ON	ON	ON	(ON)
OFF	OFF	OFF	OFF	OFF
Connecting terminals	1-3	—	—	—
Connecting terminals	2-3	—	—	2-1

PANEL CUT-OUT DIMENSIONS (unit: mm)



NIDEC COMPONENTS CORPORATION (HQ)

7-5-25 Nishi-Shinjuku, Shinjuku-ku, Tokyo 160-0023 JAPAN
Phone: +81-3-3364-7055 Fax: +81-3-3364-7098

NIDEC COMPONENTS (U.S.A.), INC.

367 Van Ness Way, Suite 601 Torrance, CA 90501 U.S.A.
Phone: +1-310-618-0225 Fax: +1-310-618-9984

NIDEC COMPONENTS (SHANGHAI) CO., LTD.

Unit A, 4/F, No.4 Bldg., No.253, Ai Du Rd., Wai Gao Qiao
Free Trade Zone, Shanghai 200131, CHINA
Phone: +86-21-5046-3009 Fax: +86-21-5046-3115

NIDEC COMPONENTS (TAIWAN) CO., LTD.

18F-1, No.57, Sec.2, Tun Hwa S.Rd., Taipei 106, TAIWAN
Phone: +886-2-27030577 Fax: +886-2-27010577

■ Specifications are subject to change without prior notice.

<https://www.nidec-components.com>

NIDEC COMPONENTS EUROPE GmbH

Mergenthalerallee 79-81, 65760 Eschborn GERMANY
Phone: +49-6196-92775-0 Fax: +49-6196-92775-75

NIDEC COMPONENTS KOREA CORPORATION

C-406, Woolim Lion's Valley 168, Gasan digital,
Geumcheon-gu, Seoul, 08507, KOREA
Phone: +82-2-3482-5861 Fax: +82-2-3482-5860

NIDEC COMPONENTS (SINGAPORE) PTE. LTD.

180B Bencoolen Street #07-05 The Bencoolen Singapore 189648
Phone: +65-6535-0056 Fax: +65-6535-0087