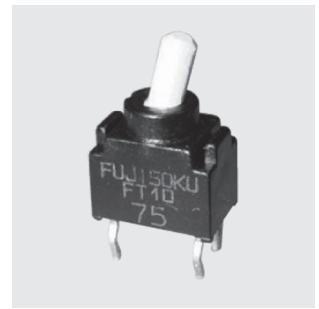




- Terminal Pins : Kinked
- Actuator Color : Yellow

Washable

RoHS Compliant



Ultra-Miniature Toggle Switches

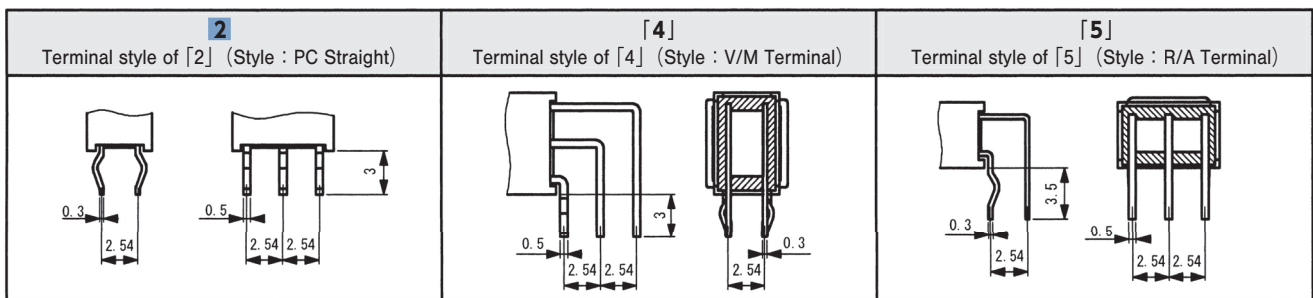
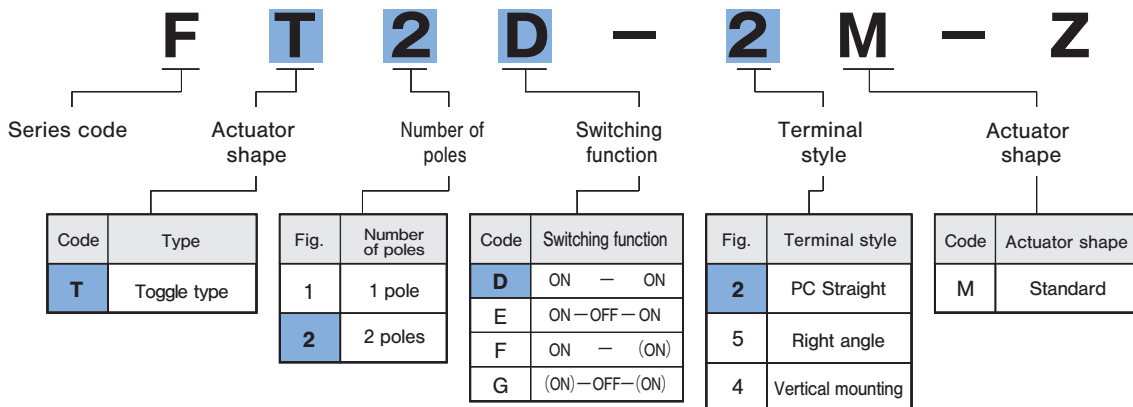
Features

- Ultra-miniature toggle switch for high density mounting.
- Washable.
- Terminal pin pitch : 2.54 mm.
- Independent detent mechanism ensures light operational feel.
- Clip contact mechanism for long-term contact reliability.
- Gold-plated contacts.

Specifications

Rating	Max.	28 VDC 0.4 VA max.
	Min.	1 μ A 20 mVDC
Initial contact resistance	100 m Ω max. (1.5 mA 200 μ VAC)	
Dielectric strength	250 VAC 1 minute	
Insulation resistance	500 M Ω min. (250 VDC)	
Electrical life	10,000 cycles at max. rating 50,000 cycles at min. rating (D,E type) 30,000 cycles at min. rating (F,G type)	
Operating temperature range	-40°C~+85°C	
Storage temperature range	-40°C~+85°C	

Part Numbering

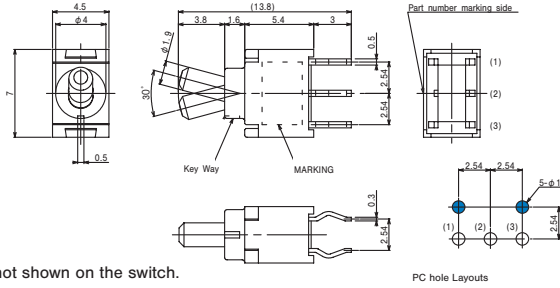


SPDT

PC Straight



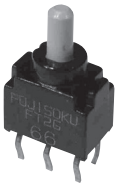
Terminal numbers are not shown on the switch.



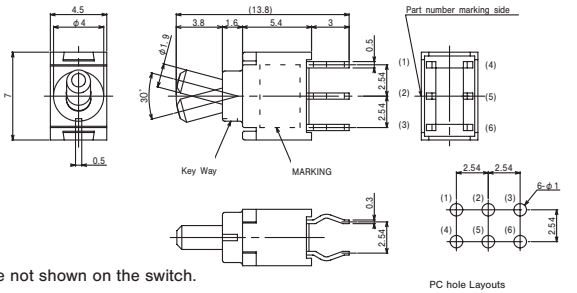
Switching function			
Part No.			
FT1D-2M-Z	ON	-	ON
☆ FT1E-2M-Z	ON	OFF	ON
☆ FT1F-2M-Z	ON	-	(ON)
★ FT1G-2M-Z	(ON)	OFF	(ON)
Connecting terminals	2-3	-	2-1

DPDT

PC Straight



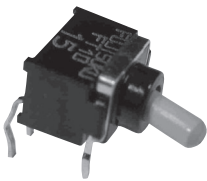
Terminal numbers are not shown on the switch.



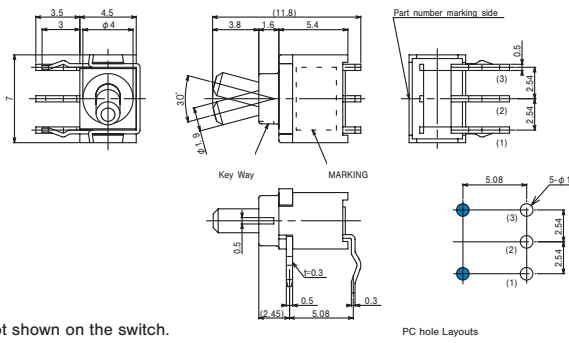
Switching function			
Part No.			
FT2D-2M-Z	ON	-	ON
☆ FT2E-2M-Z	ON	OFF	ON
★ FT2G-2M-Z	(ON)	OFF	(ON)
Connecting terminals	2-3 5-6	-	2-1 5-4

SPDT

Right Angle Terminal



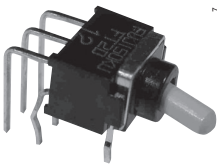
Terminal numbers are not shown on the switch.



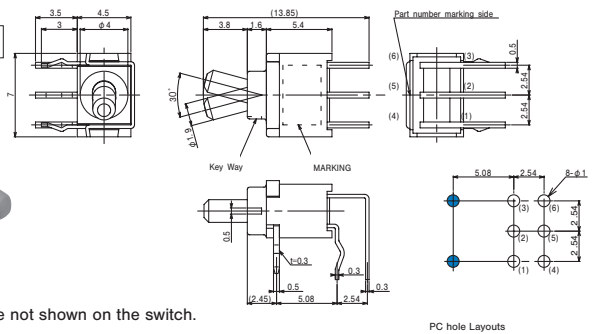
Switching function			
Part No.			
FT1D-5M-Z	ON	-	ON
FT1E-5M-Z	ON	OFF	ON
Connecting terminals	2-1	-	2-3

DPDT

Right Angle Terminal



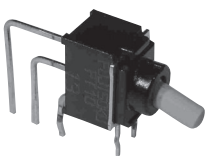
Terminal numbers are not shown on the switch.



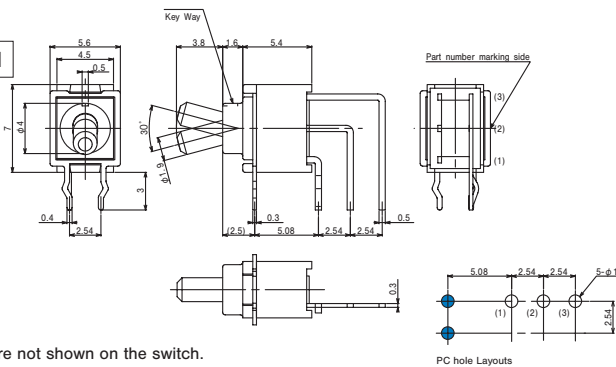
Switching function			
Part No.			
☆ FT2D-5M-Z	ON	-	ON
Connecting terminals	2-1 5-4	-	2-3 5-6

SPDT

Vertical mounting terminal



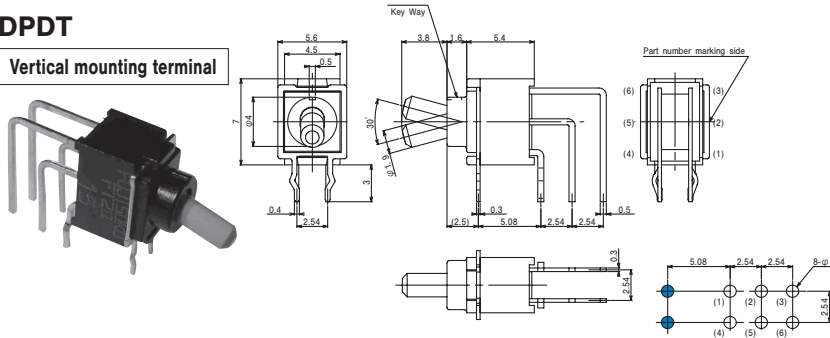
Terminal numbers are not shown on the switch.



Switching function			
Part No.			
☆ FT1D-4M-Z	ON	-	ON
★ FT1E-4M-Z	ON	OFF	ON
Connecting terminals	2-3	-	2-1

DPDT

Vertical mounting terminal



Terminal numbers are not shown on the switch.

PC hole Layouts

Switching function			
Part No.	ON	—	ON
Connecting terminals	2-3 5-6	—	2-1 5-4

■ Soldering Specifications

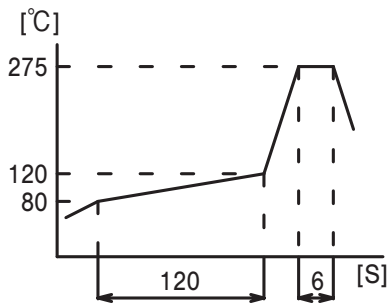
(1) Manual Soldering

Device : Soldering iron
380°C, Max.; 3 seconds, Max.

(2) Auto Soldering

Device : Jet wave type or dip type
275°C, Max.; 6 seconds, Max.

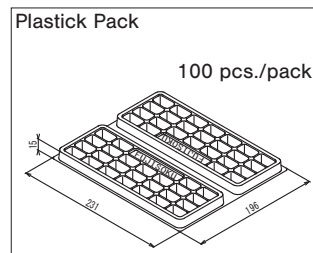
- Pre-heating should be done at temperatures from 80 to 120°C and within 120 sec.



■ Flux Cleaning

- (1) Solvent : Fluorine or Alcohol type.
- (2) Cleaning after soldering should be done after the PC board is exposed to room temperature (30°C or below) for 1 to 2 hours.
- (3) Do not use ultrasonic cleaning.

■ Packaging Specifications



- (3) When soldering two or more terminals to a common land, use solder resist to separate them.