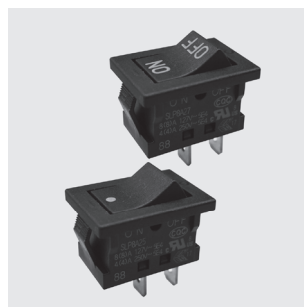


# SLP8A

Dustproof

RoHS Compliant



## AC Rated Miniature Rocker Switches

CQC

C-US UL

ENEC

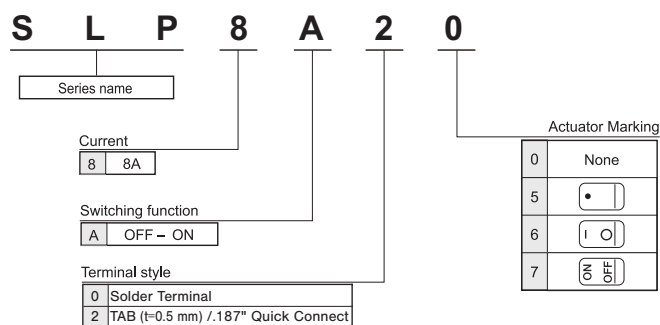
### Features

1. Electrical life of 50,000 cycles
2. Compact size
3. Four actuator marking options
4. cULus Recognized
5. CQC and ENEC certified products.

### Specifications

Rating	8(8)A 127 VAC~5E4 4(4)A 250 VAC~5E4
Initial contact resistance	30 mΩ max. (1A 2~4V DC)
Dielectric strength	1500 VAC 1 minute
Insulation resistance	100 MΩ min. (500 VDC)
Operating force	4±2 N
Electrical life	50,000 cycles
Operating temperature range	-10°C~+65°C
Storage temperature range	-25°C~+80°C

### Part Number Designation

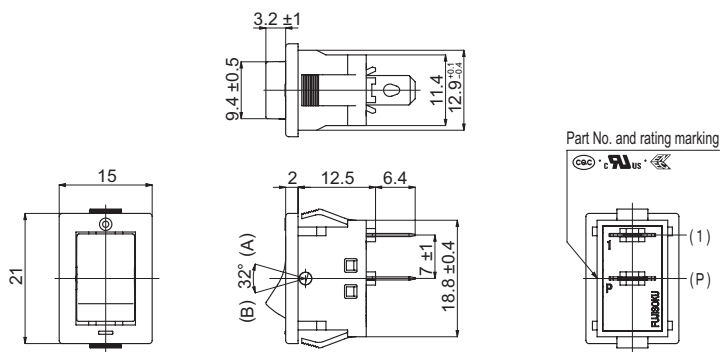


### List of Part Numbers

Terminal style	Switching function	Actuator marking			
		None			
Solder Terminal	OFF-ON	SLP8A00	SLP8A05	SLP8A06	SLP8A07
TAB #187 (t=0.5mm)	OFF-ON	SLP8A20	SLP8A25	SLP8A26	SLP8A27

### Outline Dimensions

Unless otherwise specified, tolerance : ± 0.3 (Unit : mm)



### Switching Function

Switching function			Number of terminals
Connecting terminal		Schematic	
A pos.	B pos.		2
OFF	ON		
—	P-1		

### Panel Cut-Out Dimensions

(Unit : mm)

Panel thickness	X
0.75 ~ 1.25	19.2
1.25 ~ 2.50	19.4